

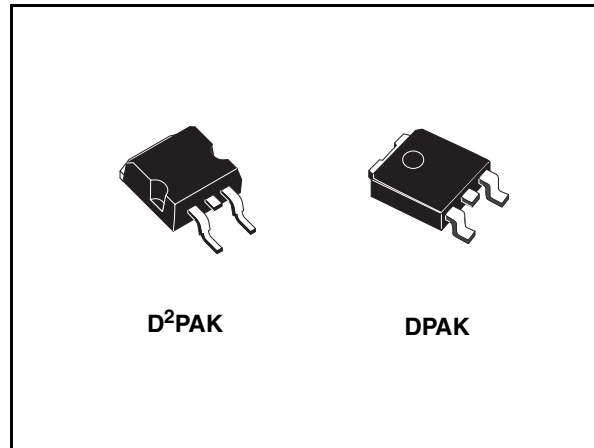
5 A low drop positive voltage regulator adjustable and fixed

Features

- Typical dropout 1.3 V (at 5 A)
- Three terminal adjustable or fixed output voltage 1.8 V, 3.3 V.
- Guaranteed output current up to 5 A
- Output tolerance $\pm 1\%$ at 25 °C and $\pm 2\%$ in full temperature range for the "A" version
- Output tolerance $\pm 2\%$ at 25 °C and $\pm 3\%$ in full temperature range internal power and thermal limit
- Wide operating temp. range -40 °C to 125 °C
- Package available: D²PAK and DPAK
- Pinout compatibility with standard adjustable VREG

Description

The KD1084xx is a low drop voltage regulator able to provide up to 5 A of output current. Dropout is guaranteed at a maximum of 1.5 V at the maximum output current, decreasing at lower loads. The KD1084xx is pin to pin compatible with the older 3-terminal adjustable regulators but has better performances in term of drop and output tolerance.



A 2.85 V output version is suitable for SCSI-2 active termination. Unlike PNP regulators, where a part of the output current is wasted as quiescent current, the KD1084xx quiescent current flows into the load, so increase efficiency. Only a 10 μ F minimum capacitor is need for stability.

The devices are supplied in D²PAK and DPAK. On chip trimming allows the regulator to reach a very tight output voltage tolerance, within $\pm 1\%$ at 25 °C for "A" version and $\pm 2\%$ at 25 °C for standard version.

Table 1. Device summary

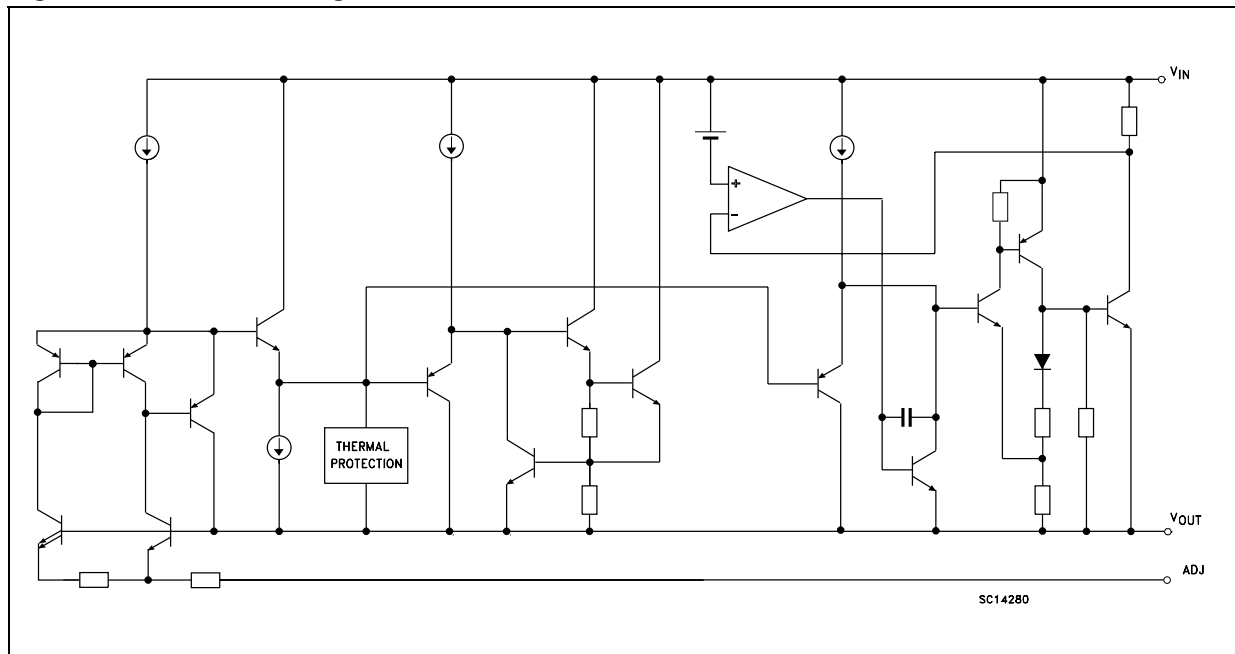
Part numbers	Order codes			
	D ² PAK	DPAK	Output voltage	Tolerance
KD1084AXX18	KD1084AD2T18R		1.8 V	1%
KD1084XX33		KD1084DT33R	3.3 V	2%
KD1084AXX33		KD1084ADT33R	3.3 V	1%
KD1084XX		KD1084DT-R	ADJ	2%
KD1084AXX		KD1084ADT-R	ADJ	1%

Contents

1	Diagram	3
2	Pin configuration	4
3	Maximum ratings	5
4	Schematic application	6
5	Electrical characteristics	7
6	Typical application	12
7	Package mechanical data	14
8	Revision history	19

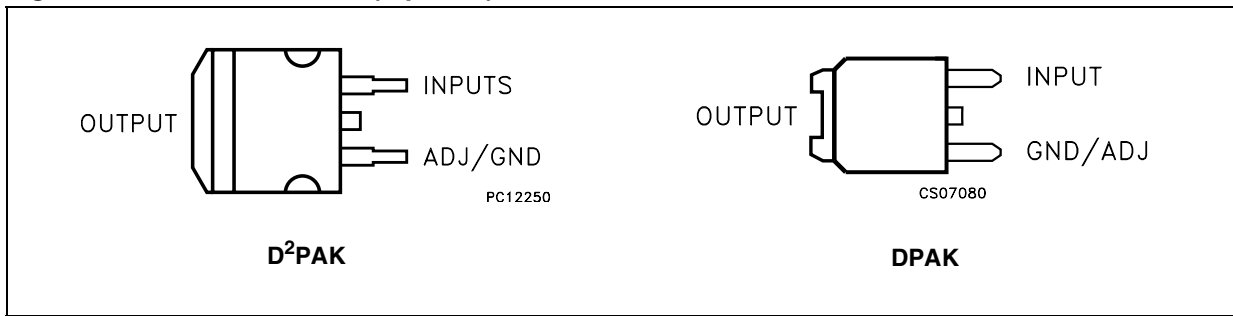
1 Diagram

Figure 1. Schematic diagram



2 Pin configuration

Figure 2. Pin connections (top view)



3 Maximum ratings

Table 2. Absolute maximum ratings

Symbol	Parameter	Value	Unit
V_I	DC input voltage	12	V
I_O	Output current	Internally limited	
P_D	Power dissipation	Internally limited	
T_{STG}	Storage temperature range	-55 to +150	°C
T_{OP}	Operating junction temperature range	-40 to +125	°C

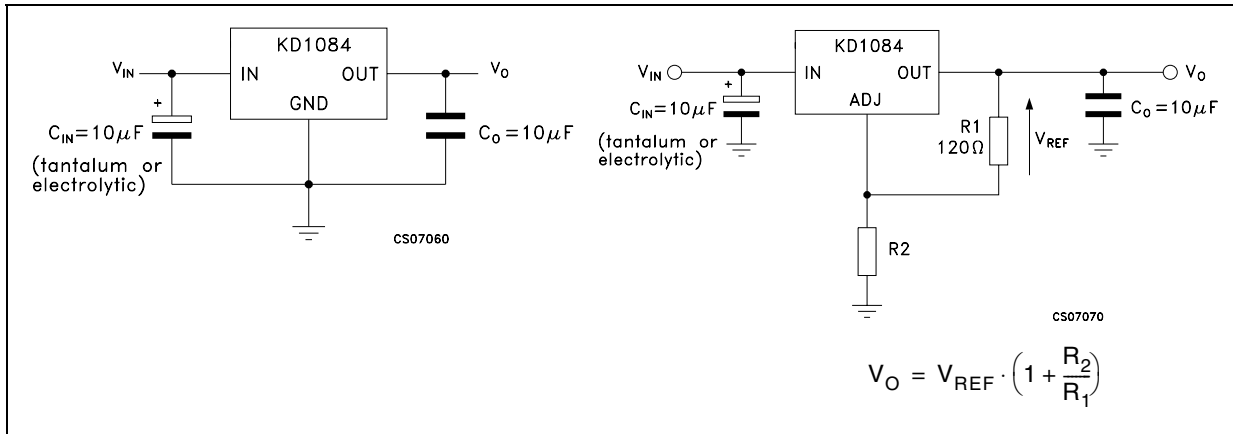
Note: Absolute maximum ratings are those values beyond which damage to the device may occur. Functional operation under these condition is not implied.

Table 3. Thermal data

Symbol	Parameter	DPAK	D ² PAK	Unit
R_{thJC}	Thermal resistance junction-case	8	3	°C/W
R_{thJA}	Thermal resistance junction-ambient	100	62.5	°C/W

4 Schematic application

Figure 3. Application circuit



5 Electrical characteristics

Table 4. Electrical characteristics of KD1084A#18 ($V_I = 4.8\text{ V}$, $C_I = C_O = 10\ \mu\text{F}$ (tant.), $T_A = -40\text{ to }125\text{ }^\circ\text{C}$, unless otherwise specified)

Symbol	Parameter	Test conditions	Min.	Typ.	Max.	Unit
V_O	Output voltage	$I_O = 0\text{ mA}$, $T_J = 25^\circ\text{C}$	1.782	1.8	1.818	V
		$I_O = 0\text{ to }5\text{ A}$, $V_I = 3.4\text{ to }10\text{ V}$	1.764	1.8	1.836	V
ΔV_O	Line regulation	$I_O = 0\text{ mA}$, $V_I = 3.4\text{ to }10\text{ V}$ $T_J = 25^\circ\text{C}$		0.5	6	mV
		$I_O = 0\text{ mA}$, $V_I = 3.4\text{ to }10\text{ V}$		1	6	mV
ΔV_O	Load regulation	$I_O = 0\text{ to }5\text{ A}$, $T_J = 25^\circ\text{C}$		3	15	mV
		$I_O = 0\text{ to }5\text{ A}$		7	20	V
V_d	Dropout voltage	$I_O = 5\text{ A}$		1.3	1.5	V
I_q	Quiescent current	$V_I \leq 10\text{ V}$		5	10	mA
I_{sc}	Short circuit current	$V_I - V_O = 5\text{ V}$	5.5	7		A
	Thermal regulation	$T_A = 25^\circ\text{C}$, 30ms pulse		0.003	0.015	%/W
SVR	Supply voltage rejection	$f = 120\text{ Hz}$, $C_O = 25\ \mu\text{F}$, $I_O = 5\text{ A}$ $V_I = 5.3 \pm 1.5\text{ V}$	60	75		dB
eN	RMS Output noise voltage (% of V_O)	$T_A = 25^\circ\text{C}$, $f = 10\text{ Hz to }10\text{ kHz}$		0.003		%
S	Temperature stability			0.5		%
S	Long term stability	$T_A = 125^\circ\text{C}$, 1000Hrs		0.5		%

Table 5. Electrical characteristics of KD1084A#33 ($V_I = 6.3\text{ V}$, $C_I = C_O = 10\ \mu\text{F}$ (tant.),
 $T_A = -40\text{ to }125\text{ }^\circ\text{C}$, unless otherwise specified)

Symbol	Parameter	Test conditions	Min.	Typ.	Max.	Unit
V_O	Output voltage	$I_O = 0\text{ mA}$, $T_J = 25^\circ\text{C}$	3.267	3.3	3.333	V
		$I_O = 0\text{ to }5\text{ A}$, $V_I = 4.9\text{ to }10\text{ V}$	3.234	3.35	3.366	V
ΔV_O	Line regulation	$I_O = 0\text{ mA}$, $V_I = 4.9\text{ to }10\text{ V}$ $T_J = 25^\circ\text{C}$		0.5	6	mV
		$I_O = 0\text{ mA}$, $V_I = 4.9\text{ to }10\text{ V}$		1	6	mV
ΔV_O	Load regulation	$I_O = 0\text{ to }5\text{ A}$, $T_J = 25^\circ\text{C}$		3	15	mV
		$I_O = 0\text{ to }5\text{ A}$		7	20	V
V_d	Dropout voltage	$I_O = 5\text{ A}$		1.3	1.5	V
I_q	Quiescent current	$V_I \leq 10\text{ V}$		5	10	mA
I_{sc}	Short circuit current	$V_I - V_O = 5\text{ V}$	5.5	7		A
	Thermal regulation	$T_A = 25^\circ\text{C}$, 30ms pulse		0.003	0.015	%/W
SVR	Supply voltage rejection	$f = 120\text{ Hz}$, $C_O = 25\ \mu\text{F}$, $I_O = 5\text{ A}$ $V_I = 6.8 \pm 1.5\text{ V}$	60	72		dB
eN	RMS Output noise voltage (% of V_O)	$T_A = 25^\circ\text{C}$, $f = 10\text{ Hz to }10\text{ kHz}$		0.003		%
S	Temperature stability			0.5		%
S	Long term stability	$T_A = 125^\circ\text{C}$, 1000Hrs		0.5		%

Table 6. Electrical characteristics of KD1084A ($V_I = 4.25\text{ V}$, $C_I = C_O = 10\ \mu\text{F}$ (tant.),
 $T_A = -40\text{ to }125^\circ\text{C}$, unless otherwise specified)

Symbol	Parameter	Test conditions	Min.	Typ.	Max.	Unit
V_O	Output voltage	$I_O = 10\text{ mA}$, $T_J = 25^\circ\text{C}$	1.237	1.25	1.263	V
		$I_O = 10\text{ mA to }5\text{ A}$, $V_I = 2.85\text{ to }10\text{V}$	1.225	1.25	1.275	V
ΔV_O	Line regulation	$I_O = 10\text{ mA}$, $V_I = 2.85\text{ to }10\text{V}$ $T_J = 25^\circ\text{C}$		0.015	0.2	mV
		$I_O = 10\text{ mA}$, $V_I = 2.85\text{ to }10\text{V}$		0.035	0.2	mV
ΔV_O	Load regulation	$I_O = 10\text{ mA to }5\text{ A}$, $T_J = 25^\circ\text{C}$		0.1	0.3	mV
		$I_O = 10\text{ mA to }5\text{ A}$		0.2	0.4	V
V_d	Dropout voltage	$I_O = 5\text{ A}$		1.3	1.5	V
$I_{O(\text{min})}$	Quiescent current	$V_I \leq 10\text{V}$		3	10	mA
I_{sc}	Short circuit current	$V_I - V_O = 5\text{V}$	5.5	7		A
	Thermal regulation	$T_A = 25^\circ\text{C}$, 30ms pulse		0.003	0.015	%/W
SVR	Supply voltage rejection	$f = 120\text{ Hz}$, $C_O = 25\ \mu\text{F}$, $C_{ADJ} = 25\ \mu\text{F}$, $I_O = 5\text{ A}$, $V_I = 4.75 \pm 1.5\text{V}$	60	72		dB
I_{ADJ}	Adjust pin current	$V_I = 4.25\text{V}$, $I_O = 10\text{ mA}$		55	120	μA
ΔI_{ADJ}	Adjust pin current change	$V_I = 2.85\text{ to }10\text{V}$, $I_O = 10\text{ mA to }5\text{A}$		0.2	5	μA
eN	RMS Output noise voltage (% of V_O)	$T_A = 25^\circ\text{C}$, $f = 10\text{Hz to }10\text{kHz}$		0.003		%
S	Temperature stability			0.5		%
S	Long term stability	$T_A = 125^\circ\text{C}$, 1000Hrs		0.5		%

Table 7. Electrical characteristics of KD1084#33 ($V_I = 5.85$ V, $C_I = C_O = 10$ μ F (tant.), $T_A = -40$ to 125°C , unless otherwise specified)

Symbol	Parameter	Test conditions	Min.	Typ.	Max.	Unit
V_O	Output voltage	$I_O = 0$ mA, $T_J = 25^\circ\text{C}$	3.234	3.3	3.366	V
		$I_O = 0$ to 5A, $V_I = 4.9$ to 10V	3.2	3.3	3.4	V
ΔV_O	Line regulation	$I_O = 0$ mA, $V_I = 4.9$ to 10V $T_J = 25^\circ\text{C}$		0.5	6	mV
		$I_O = 0$ mA, $V_I = 4.9$ to 10V		1	6	mV
ΔV_O	Load regulation	$I_O = 0$ to 5A, $T_J = 25^\circ\text{C}$		3	15	mV
		$I_O = 0$ to 5A		7	20	V
V_d	Dropout voltage	$I_O = 5$ A		1.3	1.5	V
I_q	Quiescent current	$V_I \leq 10$ V		5	10	mA
I_{sc}	Short circuit current	$V_I - V_O = 5$ V	5.5	7		A
	Thermal regulation	$T_A = 25^\circ\text{C}$, 30ms pulse		0.003	0.015	%/W
SVR	Supply voltage rejection	$f = 120$ Hz, $C_O = 25\mu\text{F}$, $I_O = 5$ A $V_I = 6.8 \pm 1.5$ V	60	72		dB
eN	RMS Output noise voltage (% of V_O)	$T_A = 25^\circ\text{C}$, $f = 10$ Hz to 10kHz		0.003		%
S	Temperature stability			0.5		%
S	Long term stability	$T_A = 125^\circ\text{C}$, 1000Hrs		0.5		%

Table 8. Electrical characteristics of KD1084 ($V_I = 4.25\text{ V}$, $C_I = C_O = 10\ \mu\text{F}$ (tant.),
 $T_A = -40\text{ to }125\text{ }^\circ\text{C}$, unless otherwise specified)

Symbol	Parameter	Test conditions	Min.	Typ.	Max.	Unit
V_O	Output voltage	$I_O = 10\text{ mA}$, $T_J = 25^\circ\text{C}$	1.225	1.25	1.275	V
		$I_O = 10\text{ mA to }5\text{ A}$, $V_I = 2.85\text{ to }10\text{ V}$	1.213	1.25	1.287	V
ΔV_O	Line regulation	$I_O = 10\text{ mA}$, $V_I = 2.85\text{ to }10\text{ V}$ $T_J = 25^\circ\text{C}$		0.015	0.2	mV
		$I_O = 10\text{ mA}$, $V_I = 2.85\text{ to }10\text{ V}$		0.035	0.2	mV
ΔV_O	Load regulation	$I_O = 10\text{ mA to }5\text{ A}$, $T_J = 25^\circ\text{C}$		1	0.3	mV
		$I_O = 10\text{ mA to }5\text{ A}$		0.2	0.4	V
V_d	Dropout voltage	$I_O = 5\text{ A}$		1.3	1.5	V
$I_{O(\text{min})}$	Quiescent current	$V_I \leq 10\text{ V}$		3	10	mA
I_{sc}	Short circuit current	$V_I - V_O = 5\text{ V}$	5.5	7		A
	Thermal regulation	$T_A = 25^\circ\text{C}$, 30ms pulse		0.003	0.015	%/W
SVR	Supply voltage rejection	$f = 120\text{ Hz}$, $C_O = 25\ \mu\text{F}$, $C_{ADJ} = 25\ \mu\text{F}$, $I_O = 5\text{ A}$, $V_I = 4.75 \pm 1.5\text{ V}$	60	72		dB
I_{ADJ}	Adjust pin current	$V_I = 4.25\text{ V}$, $I_O = 10\text{ mA}$		55	120	μA
ΔI_{ADJ}	Adjust pin current change	$V_I = 2.85\text{ to }10\text{ V}$, $I_O = 10\text{ mA to }5\text{ A}$		0.2	5	μA
eN	RMS Output noise voltage (% of V_O)	$T_A = 25^\circ\text{C}$, $f = 10\text{ Hz to }10\text{ kHz}$		0.003		%
S	Temperature stability			0.5		%
S	Long term stability	$T_A = 125^\circ\text{C}$, 1000Hrs		0.5		%

6 Typical application

Unless otherwise specified $T_J = 25\text{ }^\circ\text{C}$, $C_I = C_O = 10\text{ }\mu\text{F}$ (tant.)

Figure 4. Dropout voltage vs output current **Figure 5. Dropout voltage vs temperature**

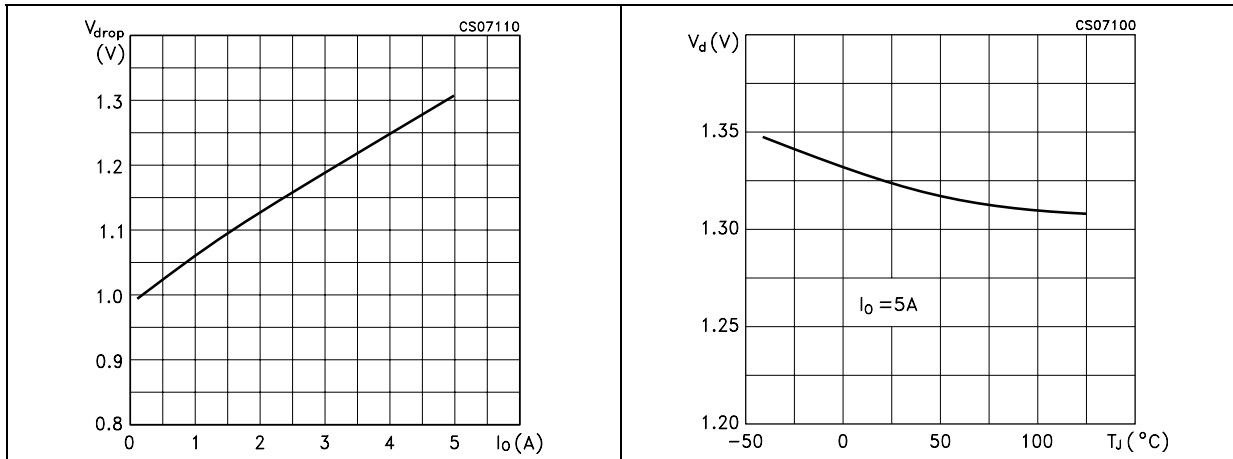


Figure 6. Short circuit current vs dropout voltage **Figure 7. Line regulation vs temperature**

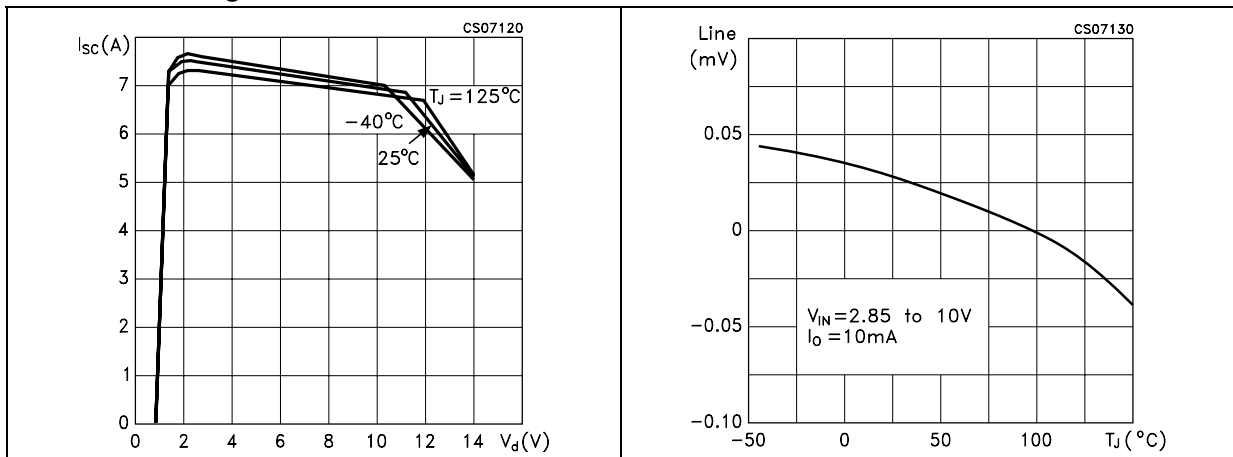


Figure 8. Output voltage vs temperature **Figure 9. Load regulation vs temperature**

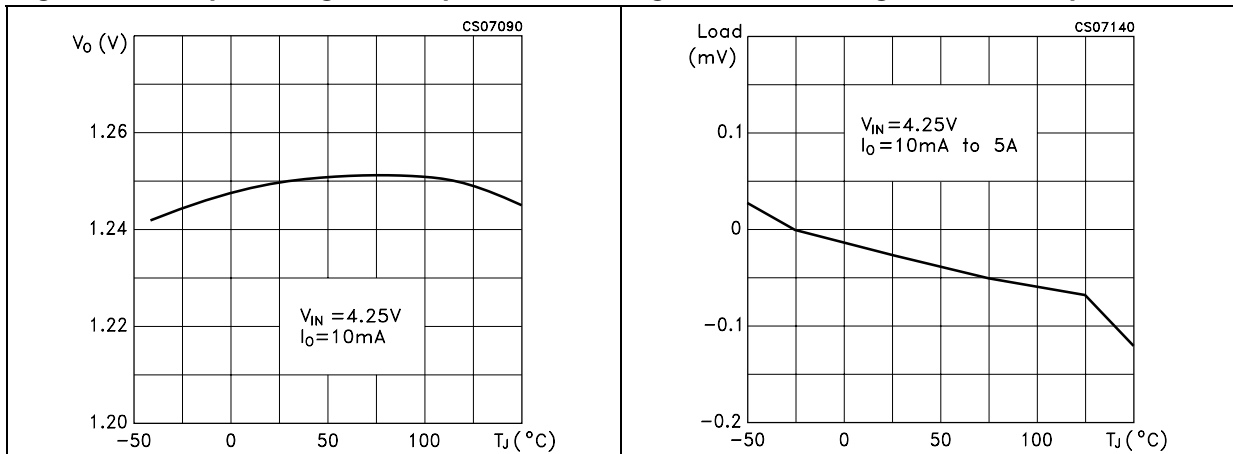


Figure 10. Supply voltage rejection vs frequency

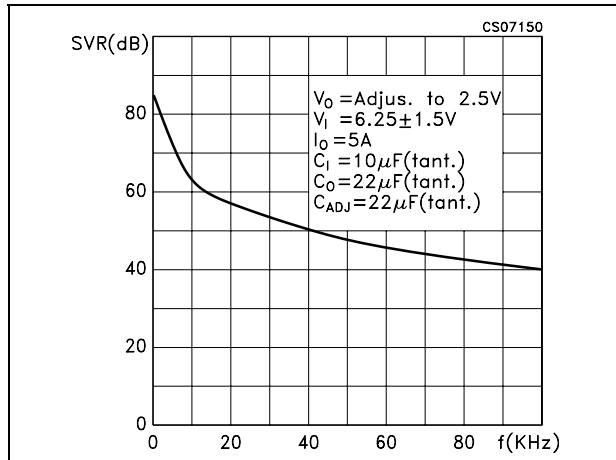


Figure 11. Adjust pin current vs output current

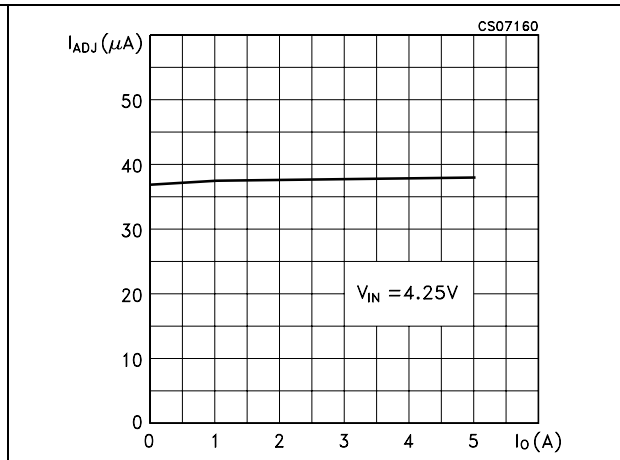


Figure 12. Line transient

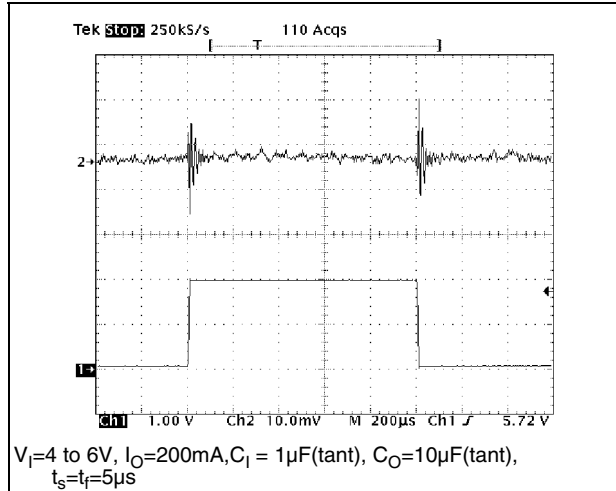
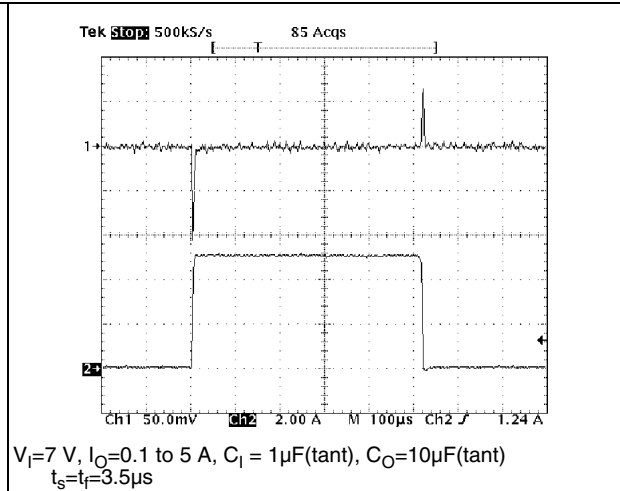


Figure 13. Load transient

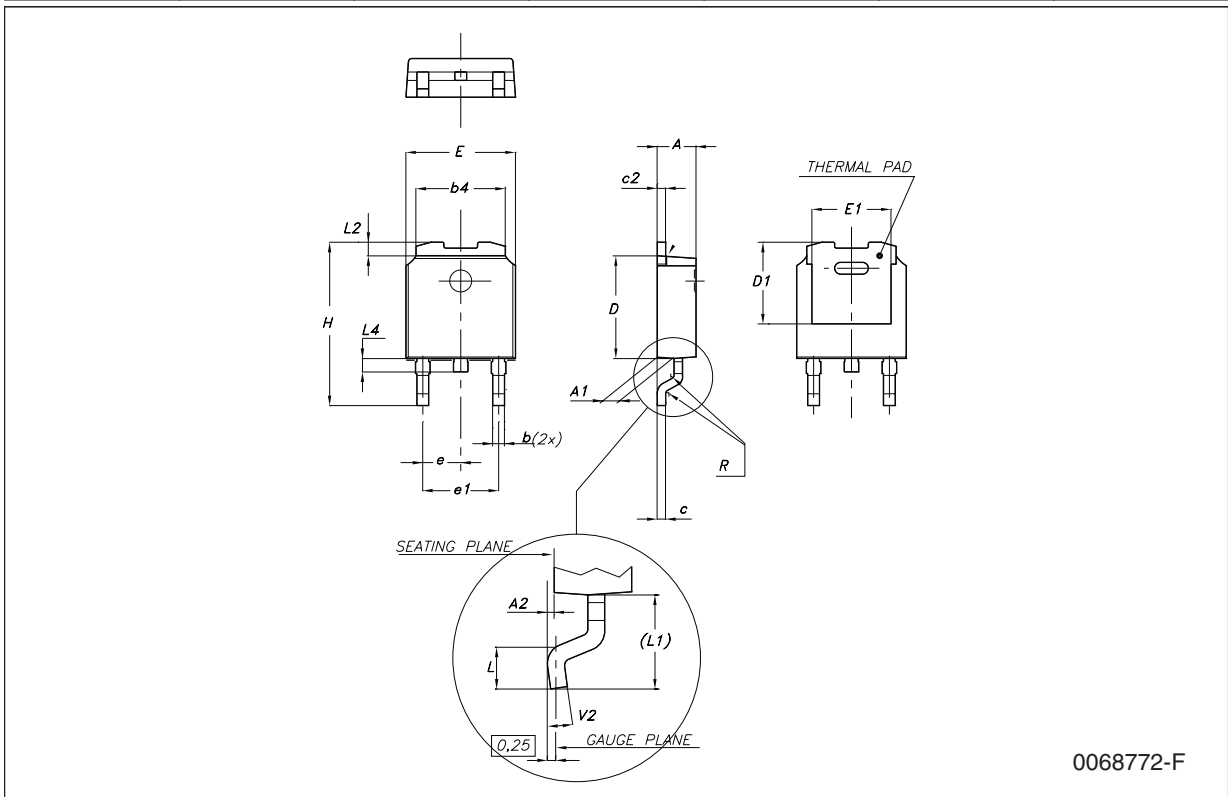


7 Package mechanical data

In order to meet environmental requirements, ST offers these devices in ECOPACK[®] packages. These packages have a lead-free second level interconnect. The category of second Level Interconnect is marked on the package and on the inner box label, in compliance with JEDEC Standard JESD97. The maximum ratings related to soldering conditions are also marked on the inner box label. ECOPACK is an ST trademark. ECOPACK specifications are available at: www.st.com.

DPAK mechanical data

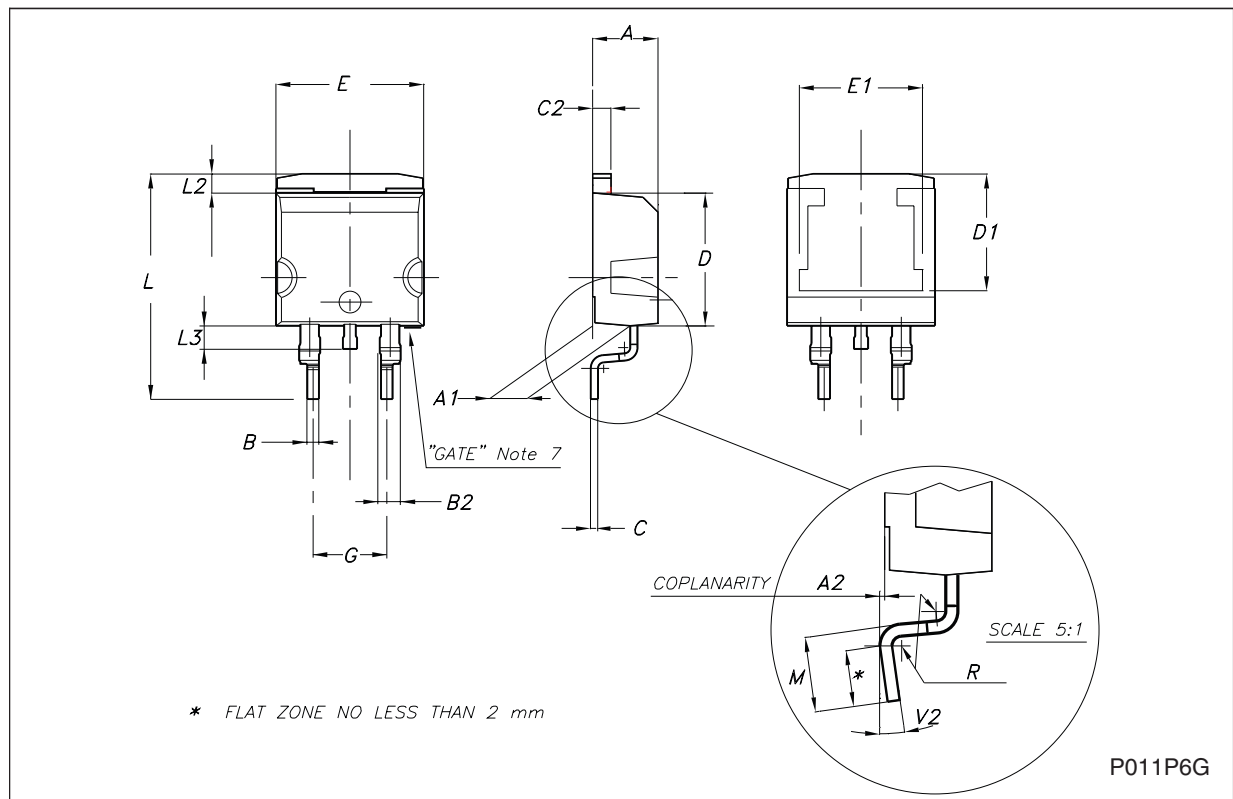
Dim.	mm.			inch.		
	Min.	Typ.	Max.	Min.	Typ.	Max.
A	2.2		2.4	0.086		0.094
A1	0.9		1.1	0.035		0.043
A2	0.03		0.23	0.001		0.009
B	0.64		0.9	0.025		0.035
b4	5.2		5.4	0.204		0.212
C	0.45		0.6	0.017		0.023
C2	0.48		0.6	0.019		0.023
D	6		6.2	0.236		0.244
D1		5.1			0.200	
E	6.4		6.6	0.252		0.260
E1		4.7			0.185	
e		2.28			0.090	
e1	4.4		4.6	0.173		0.181
H	9.35		10.1	0.368		0.397
L	1			0.039		
(L1)		2.8			0.110	
L2		0.8			0.031	
L4	0.6		1	0.023		0.039
R		0.2			0.008	
V2	0°		8°	0°		8°



0068772-F

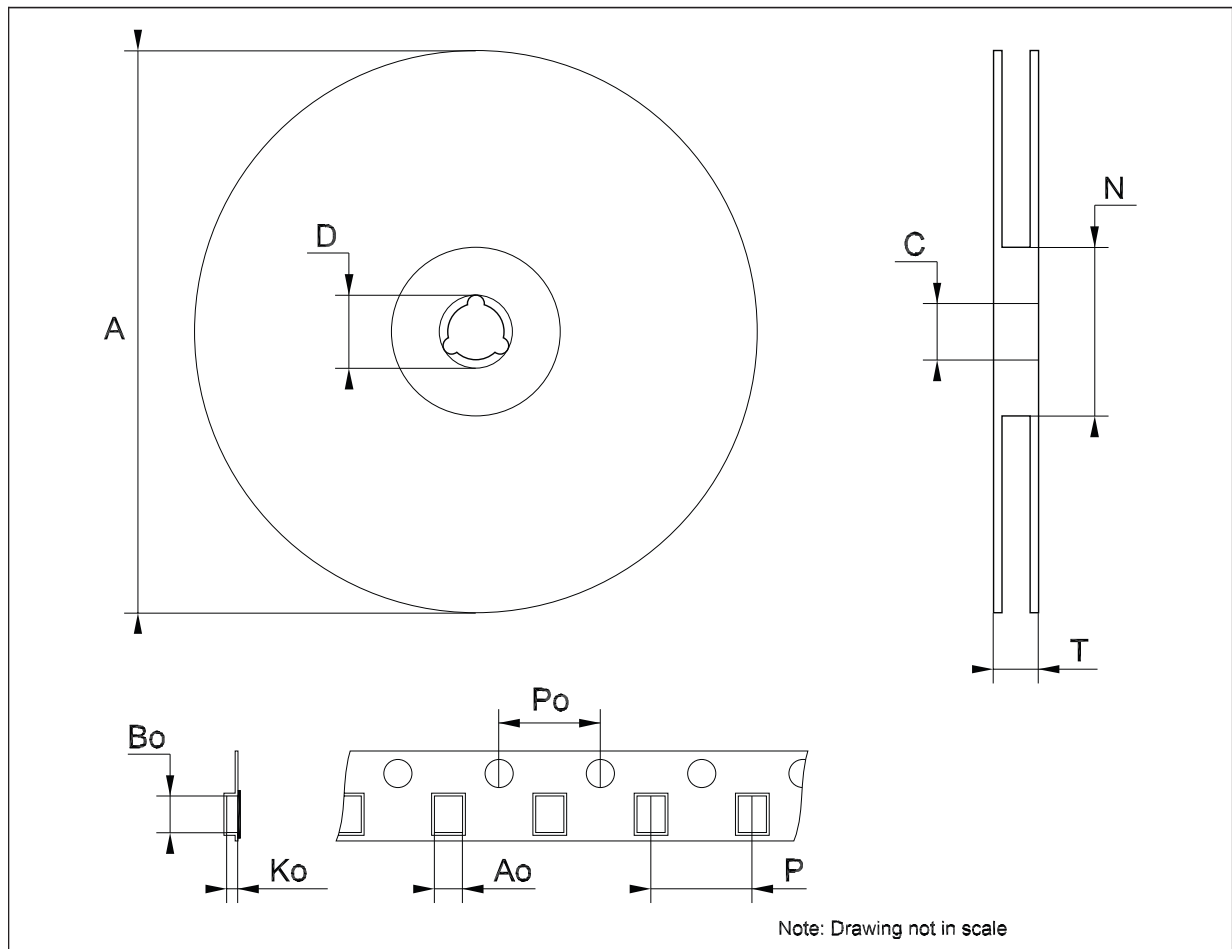
D²PAK mechanical data

Dim.	mm.			inch.		
	Min.	Typ.	Max.	Min.	Typ.	Max.
A	4.4		4.6	0.173		0.181
A1	2.49		2.69	0.098		0.106
A2	0.03		0.23	0.001		0.009
B	0.7		0.93	0.027		0.036
B2	1.14		1.7	0.044		0.067
C	0.45		0.6	0.017		0.023
C2	1.23		1.36	0.048		0.053
D	8.95		9.35	0.352		0.368
D1		8			0.315	
E	10		10.4	0.393		0.409
E1		8.5			0.335	
G	4.88		5.28	0.192		0.208
L	15		15.85	0.590		0.624
L2	1.27		1.4	0.050		0.055
L3	1.4		1.75	0.055		0.068
M	2.4		3.2	0.094		0.126
R		0.4			0.016	
V2	0°		8°	0°		8°



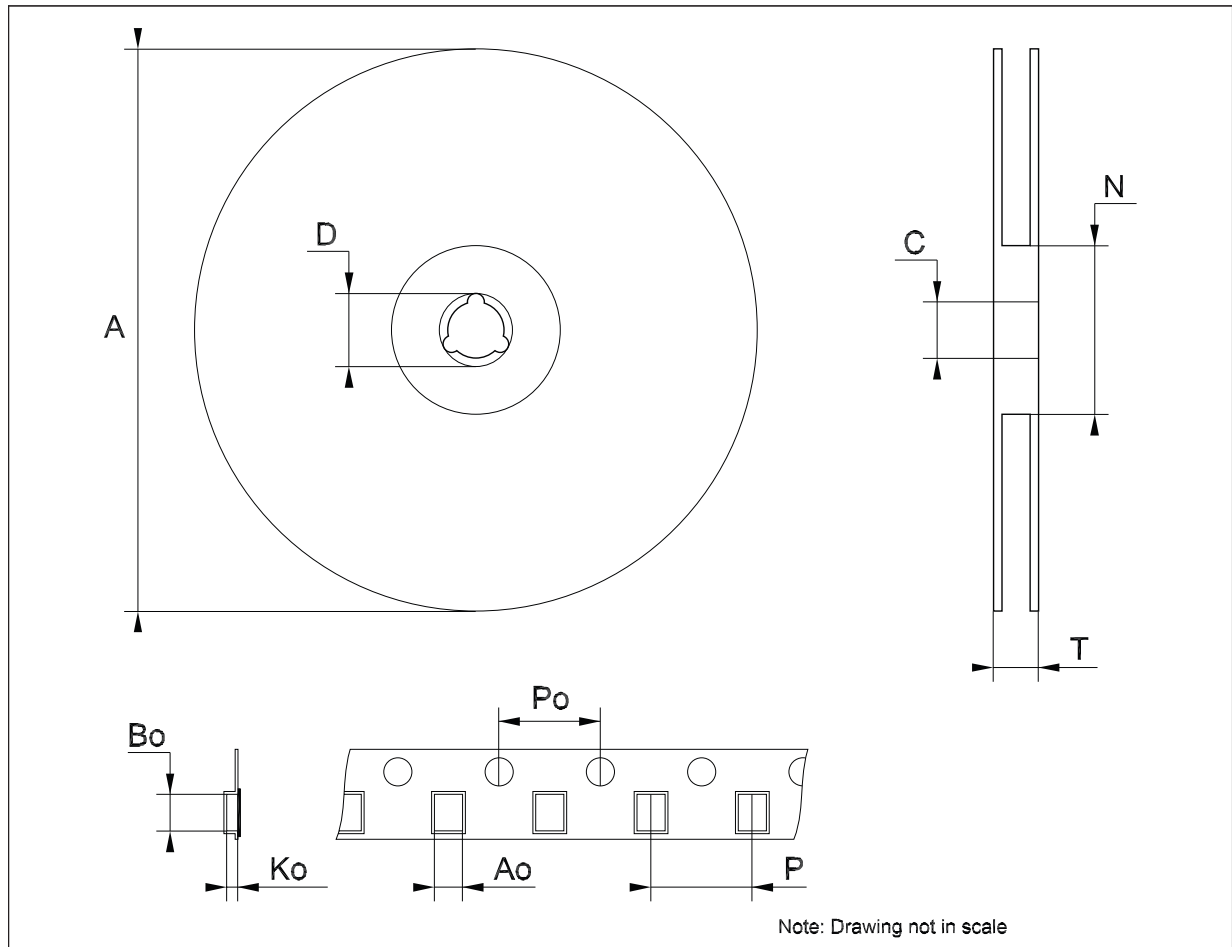
Tape & reel DPAK-PPAK mechanical data

Dim.	mm.			inch.		
	Min.	Typ.	Max.	Min.	Typ.	Max.
A			330			12.992
C	12.8	13.0	13.2	0.504	0.512	0.519
D	20.2			0.795		
N	60			2.362		
T			22.4			0.882
Ao	6.80	6.90	7.00	0.268	0.272	0.276
Bo	10.40	10.50	10.60	0.409	0.413	0.417
Ko	2.55	2.65	2.75	0.100	0.104	0.105
Po	3.9	4.0	4.1	0.153	0.157	0.161
P	7.9	8.0	8.1	0.311	0.315	0.319



Tape & reel D²PAK-P²PAK-D²PAK/A-P²PAK/A mechanical data

Dim.	mm.			inch.		
	Min.	Typ.	Max.	Min.	Typ.	Max.
A			180			7.086
C	12.8	13.0	13.2	0.504	0.512	0.519
D	20.2			0.795		
N	60			2.362		
T			14.4			0.567
Ao	10.50	10.6	10.70	0.413	0.417	0.421
Bo	15.70	15.80	15.90	0.618	0.622	0.626
Ko	4.80	4.90	5.00	0.189	0.193	0.197
Po	3.9	4.0	4.1	0.153	0.157	0.161
P	11.9	12.0	12.1	0.468	0.472	0.476



8 Revision history

Table 9. Document revision history

Date	Revision	Changes
06-Sep-2005	4	Order codes updated.
02-Apr-2007	5	Order codes updated.
30-May-2007	6	Order codes updated.
18-Dec-2007	7	Added Table 1 .
21-Feb-2008	8	Modified: Table 1 on page 1 .
16-Jul-2008	9	Modified: Table 1 on page 1 .

Please Read Carefully:

Information in this document is provided solely in connection with ST products. STMicroelectronics NV and its subsidiaries ("ST") reserve the right to make changes, corrections, modifications or improvements, to this document, and the products and services described herein at any time, without notice.

All ST products are sold pursuant to ST's terms and conditions of sale.

Purchasers are solely responsible for the choice, selection and use of the ST products and services described herein, and ST assumes no liability whatsoever relating to the choice, selection or use of the ST products and services described herein.

No license, express or implied, by estoppel or otherwise, to any intellectual property rights is granted under this document. If any part of this document refers to any third party products or services it shall not be deemed a license grant by ST for the use of such third party products or services, or any intellectual property contained therein or considered as a warranty covering the use in any manner whatsoever of such third party products or services or any intellectual property contained therein.

UNLESS OTHERWISE SET FORTH IN ST'S TERMS AND CONDITIONS OF SALE ST DISCLAIMS ANY EXPRESS OR IMPLIED WARRANTY WITH RESPECT TO THE USE AND/OR SALE OF ST PRODUCTS INCLUDING WITHOUT LIMITATION IMPLIED WARRANTIES OF MERCHANTABILITY, FITNESS FOR A PARTICULAR PURPOSE (AND THEIR EQUIVALENTS UNDER THE LAWS OF ANY JURISDICTION), OR INFRINGEMENT OF ANY PATENT, COPYRIGHT OR OTHER INTELLECTUAL PROPERTY RIGHT.

UNLESS EXPRESSLY APPROVED IN WRITING BY AN AUTHORIZED ST REPRESENTATIVE, ST PRODUCTS ARE NOT RECOMMENDED, AUTHORIZED OR WARRANTED FOR USE IN MILITARY, AIR CRAFT, SPACE, LIFE SAVING, OR LIFE SUSTAINING APPLICATIONS, NOR IN PRODUCTS OR SYSTEMS WHERE FAILURE OR MALFUNCTION MAY RESULT IN PERSONAL INJURY, DEATH, OR SEVERE PROPERTY OR ENVIRONMENTAL DAMAGE. ST PRODUCTS WHICH ARE NOT SPECIFIED AS "AUTOMOTIVE GRADE" MAY ONLY BE USED IN AUTOMOTIVE APPLICATIONS AT USER'S OWN RISK.

Resale of ST products with provisions different from the statements and/or technical features set forth in this document shall immediately void any warranty granted by ST for the ST product or service described herein and shall not create or extend in any manner whatsoever, any liability of ST.

ST and the ST logo are trademarks or registered trademarks of ST in various countries.

Information in this document supersedes and replaces all information previously supplied.

The ST logo is a registered trademark of STMicroelectronics. All other names are the property of their respective owners.

© 2008 STMicroelectronics - All rights reserved

STMicroelectronics group of companies

Australia - Belgium - Brazil - Canada - China - Czech Republic - Finland - France - Germany - Hong Kong - India - Israel - Italy - Japan - Malaysia - Malta - Morocco - Singapore - Spain - Sweden - Switzerland - United Kingdom - United States of America

www.st.com