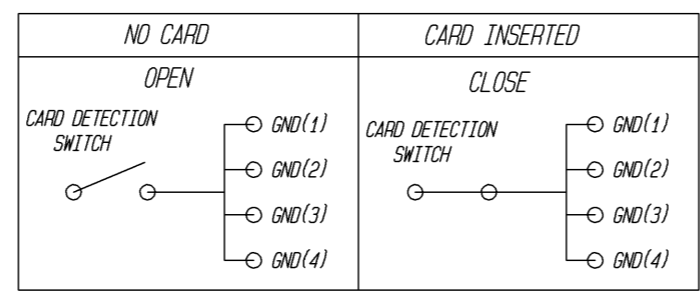
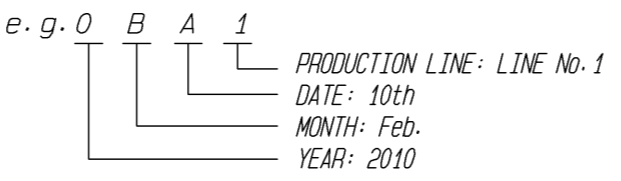


NOTE: ① CO-PLANARITY SHALL BE 0.1mm MAX.
 ② CARD DETECTION SWITCH



③ Lot.No. SHALL BE INDICATED AS SHOWN.



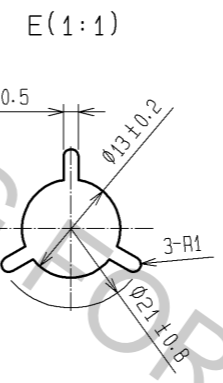
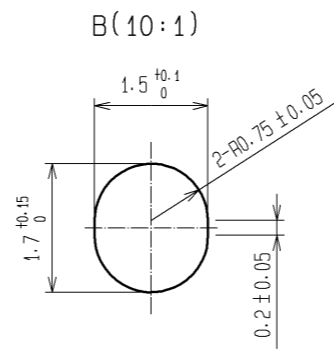
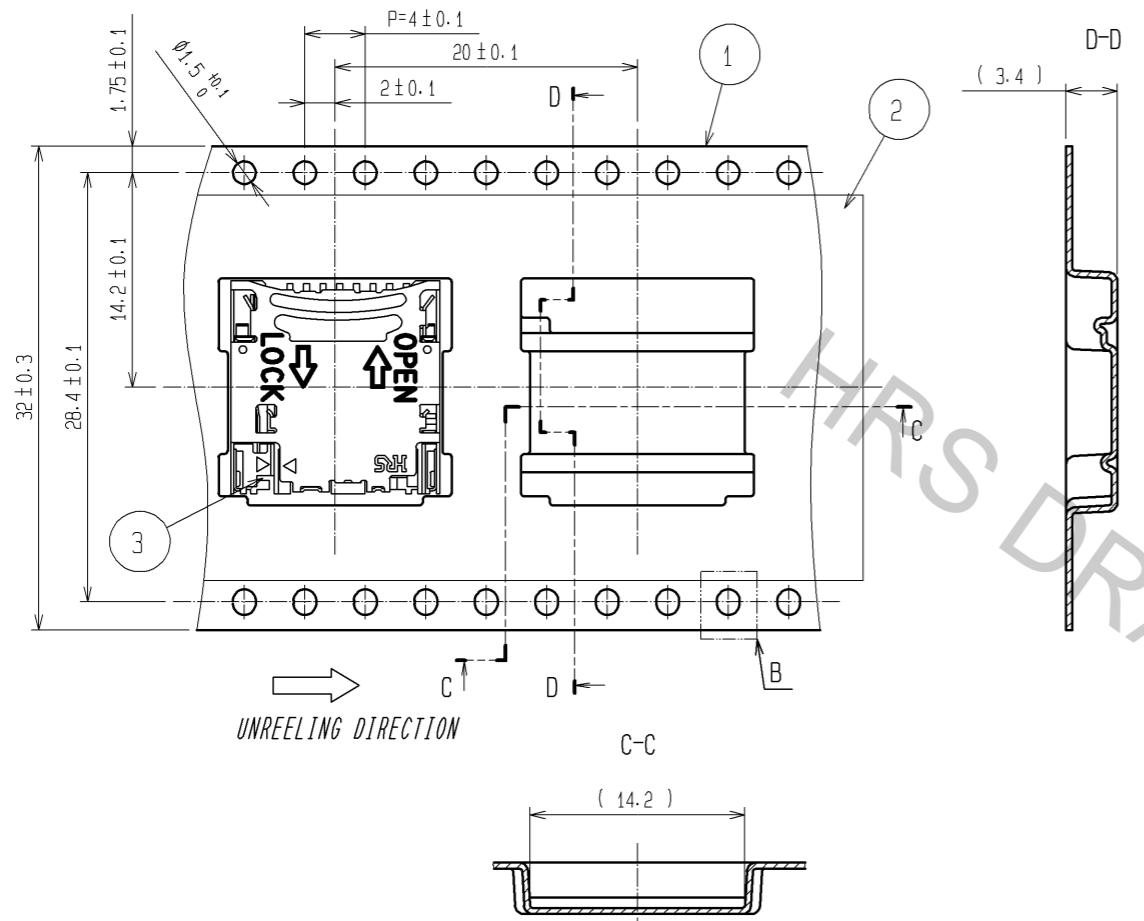
③ MANUFACTURING DATE

YEAR	SYMBOL	MONTH	SYMBOL	DATE	SYMBOL	DATE	SYMBOL	DATE	SYMBOL
2010	0	Jan.	A	1	1	11	B	21	M
2011	1	Feb.	B	2	2	12	C	22	N
2012	2	Mar.	C	3	3	13	D	23	P
2013	3	Apr.	D	4	4	14	E	24	Q
2014	4	May.	E	5	5	15	F	25	R
2015	5	Jun.	F	6	6	16	G	26	S
2016	6	Jul.	G	7	7	17	H	27	T
2007	7	Aug.	H	8	8	18	J	28	U
2008	8	Sep.	I	9	9	19	K	29	V
2009	9	Oct.	J	10	A	20	L	30	W
		Nov.	K					31	X
		Dec.	L						

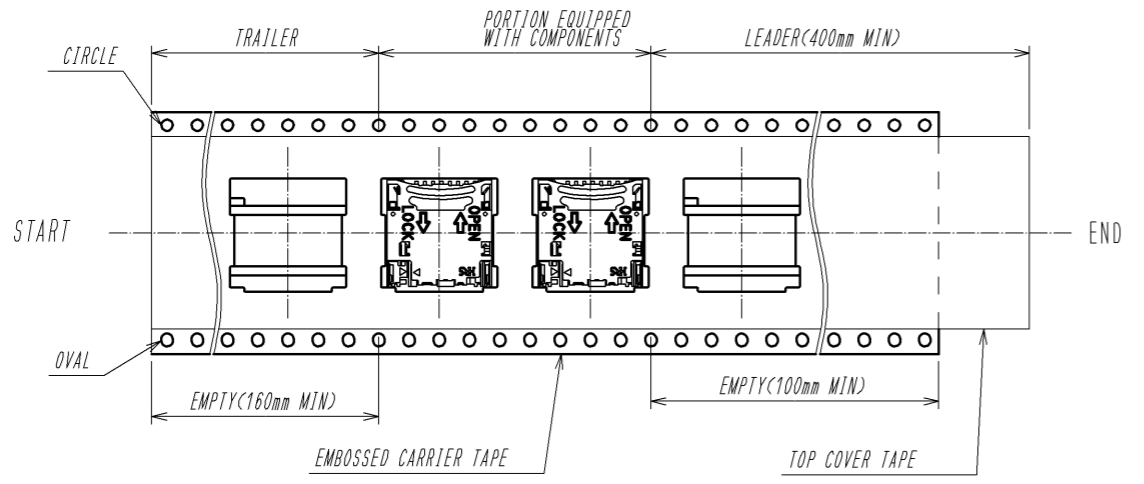
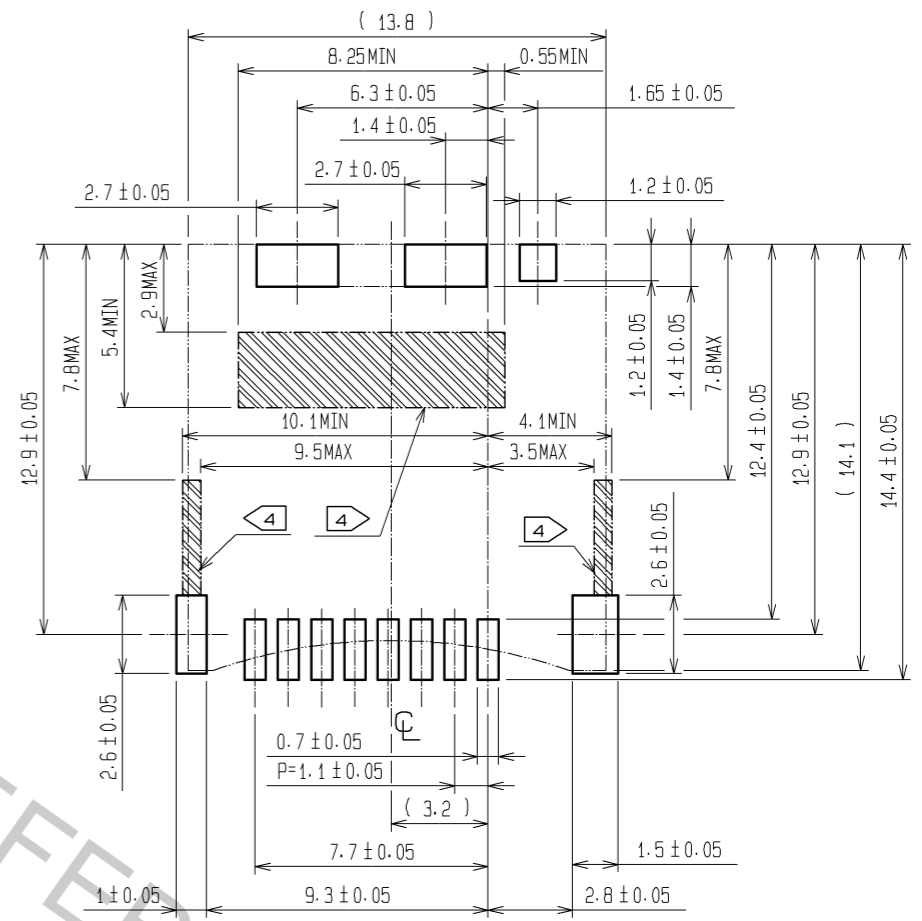
NO.	MATERIAL	FINISH	REMARKS	NO.	MATERIAL	FINISH	REMARKS
3	STAINLESS STEEL			5~8	PHOSPHOR BRONZE		MOUNTING AREA Ni1 μm+Au0.03 μm
2	PHOSPHOR BRONZE		CONTACT AREA Ni2 μm+Au0.1 μm	4	PHOSPHOR BRONZE		CONTACT AREA Ni0.5 μm+Au0.03 μm
1	LCP	BLACK	UL94V-0				MOUNTING AREA Ni1 μm+Au0.03 μm

UNITS	SCALE	COUNT	DESCRIPTION OF REVISIONS	DESIGNED	CHECKED	DATE
mm	4:1	△				
APPROVED: KI. AKIYAMA			10.02.12	DRAWING NO. EDC3-327223-03		
CHECKED: NH. SUGITA			10.02.10	PART NO. DM3CS-SF		
DESIGNED: TY. EDAGAWA			10.02.10	CODE NO. CL609-0032-3-00		
DRAWN: GO. KAMIMURA			10.02.09			

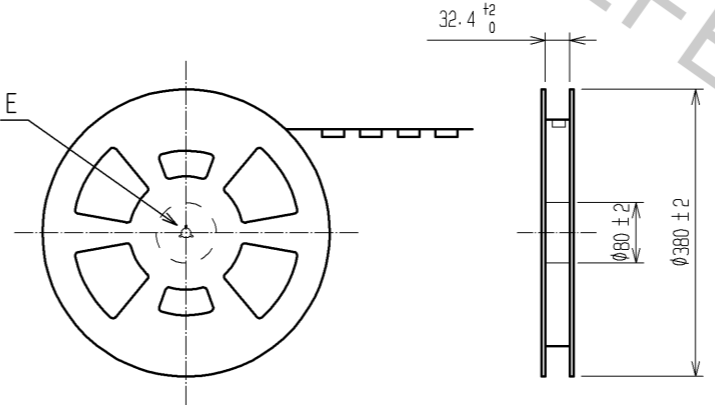
5 DRAWING FOR PACKING



RECOMMENDED PCB LAYOUT (MOUNTING SIDE)



DETAIL OF REEL (1:10)



- NOTE. 4 : NO PATTERNS ARE PERMITTED IN THIS OBLIQUE-HATCHED AREA.
 5 PACKING TYPE: TAPE AND REEL. 1300PCS PER REEL.
 6 PLEASE REFER TO TECHNICAL SPECIFICATION : ETAD-F0335 "DM3C SERIES PRODUCT INFORMATION AND HANDLING INSTRUCTIONS" FOR THE HANDLING OF THE PRODUCT.

3	(CONNECTORS)	
2	POLYESTER	
1	PS	

NO.	MATERIAL	FINISH	REMARKS	NO.	MATERIAL	FINISH	REMARKS
UNITS	mm	SCALE	FREE	COUNT	DESCRIPTION OF REVISIONS		
APPROVED : KI. AKIYAMA 10.02.12				DRAWING NO. EDC3-327223-03			
CHECKED : NH. SUGITA 10.02.10				PART NO. DM3CS-SF			
DESIGNED : TY. EDAGAWA 10.02.10				CODE NO. CL609-0032-3-00			
DRAWN : GO. KAMIMURA 10.02.09				DATE			