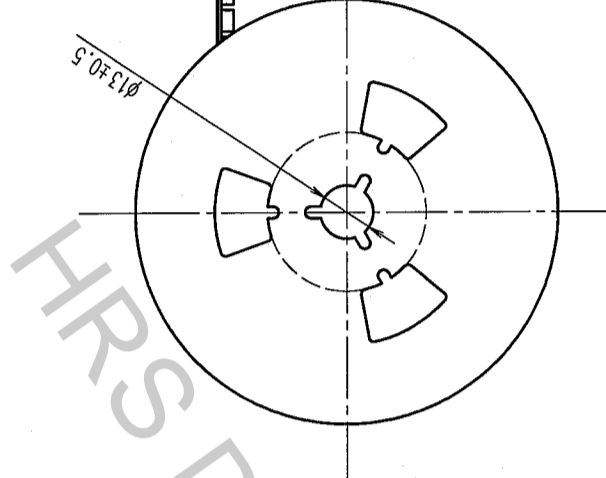
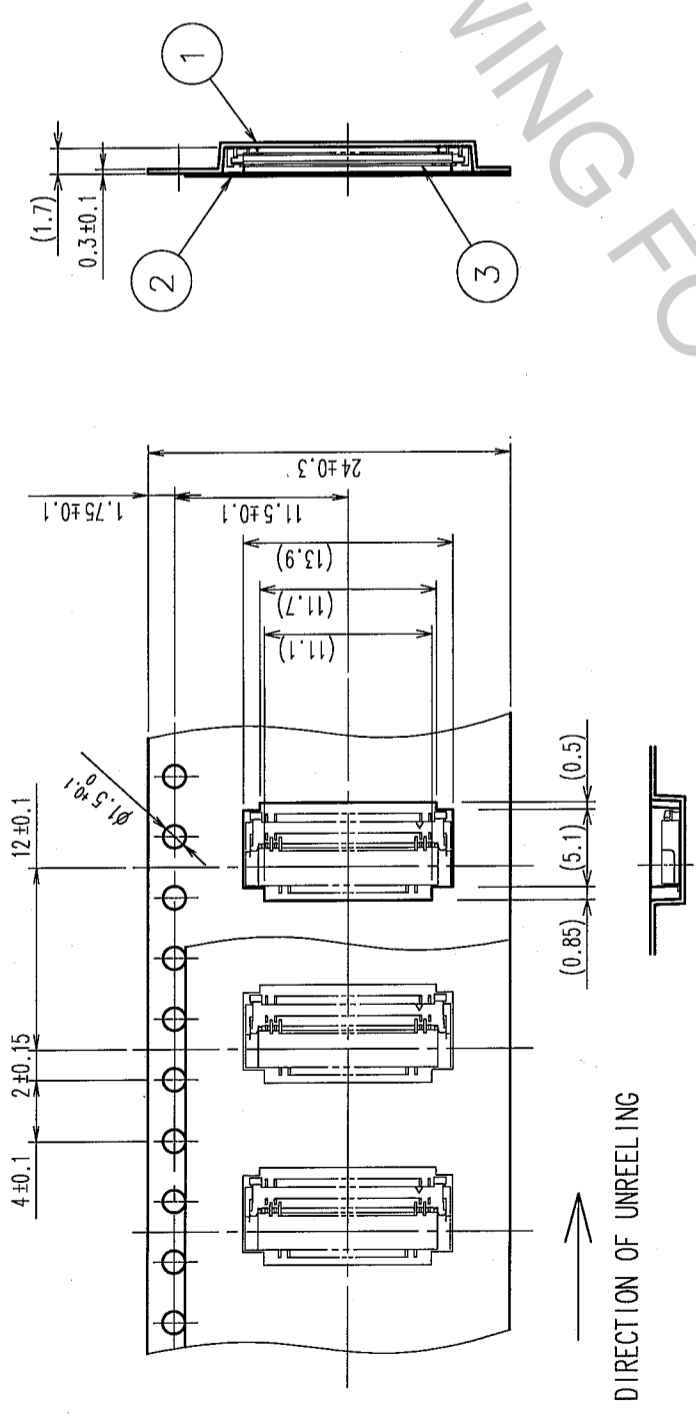


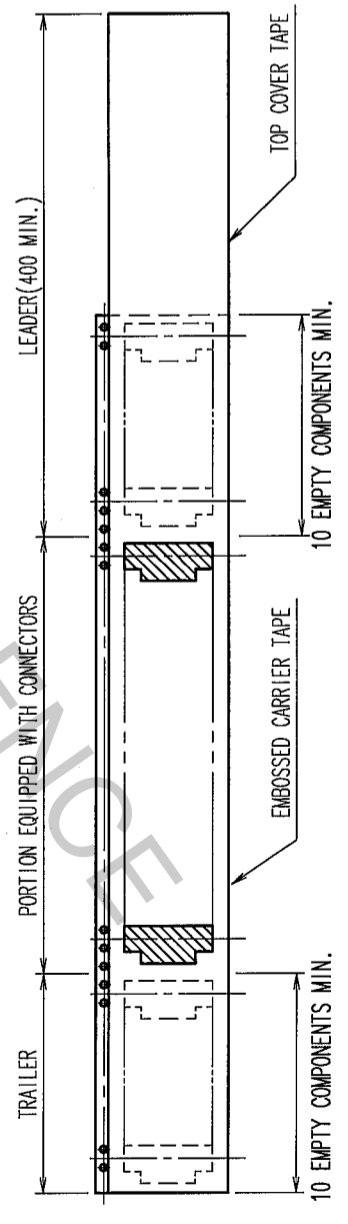


COUNT	DESCRIPTION OF REVISIONS	BY	CHKD	DATE	COUNT	DESCRIPTION OF REVISIONS	BY	CHKD	DATE
△					△				
△					△				
△					△				

REEL DIMENTION (FREE)



NOTES 1 THE DIMENTIONS IN PARENTHISES ARE FOR REFERENCE.  
2 PER REEL : 2500 CONNECTORS.



2	POLYESTER		4						
1	POLYSTYRENE		3	(CONNECTOR)					
NO.	MATERIAL	FINISH, REMARKS	NO.	MATERIAL	FINISH, REMARKS	DESIGNED	CHECKED	APPROVED	RELEASED
	CODE NO. (OLD)					NO.	NO.	NO.	NO.
						T. SHIBUYA	H. Kishi	<i>R. Yamamoto</i>	
						06.02.21	06.02.21	06.02.22	
DRAWING NO.		PART NO.		FINISH, REMARKS					
EDC3-155959-01		FH23-37S-0.3SHW(05)							
SCALE		UNITS							
2 : 1		MM							
HRS		HIROSE ELECTRIC CO., LTD		CODE NO.		CL586-1335-1-05			
				2					

TO	NC		
----	----	--	--